

FUTURA 3D 130 SECONDARY SASH

Functions

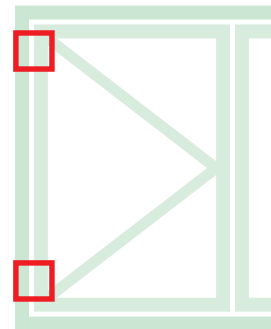
FUTURA 3D 130 features specific hinges for the secondary sash, with the same styling line and the same adjustments.

Materials

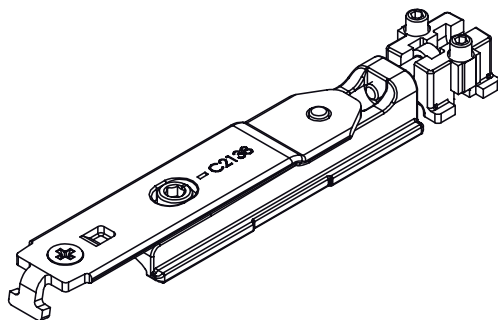
Body of hinges in extruded aluminium and brass.

Supports in zamak with GS Silver Plus finish (up to 500 hr corrosion resistance).

Pins, screws and grub screws in stainless steel.



04728



Item code	Description	PROFILE CROSS - SECTION	Base Raw	Anodised Elox	Painted	Trend/Gold Brass	Pieces per pack
04728	FUTURA 3D 130 SECONDARY SASH ADAPTER	C001-C002-C003-C004-C005-C006	X				10