

2-STAR SKG - TILT-AND-TURN SYSTEMS

SKG - CHIC 100 TILT-AND-TURN HINGES AND ARMS

Functions

Hinge kit (upper and lower), completely pre-assembled and ready to be installed on the profile.

Technical Features

They enable tilt-and-turn opening combined with the mechanisms.

Micro-ventilation and logica versions.

The arm is equipped with micro-ventilation as standard (adjustable).

Moving the fastening pawl takes the arm from conventional to logica.

The T2 arm is adjustable: the opening "A" goes from 178 mm (base) to 148 mm.

Materials

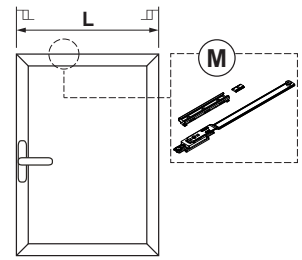
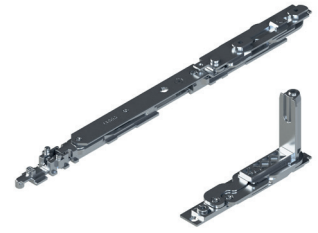
Corner support made of zamak

Connecting brackets and hinge plates made of zinc plated steel

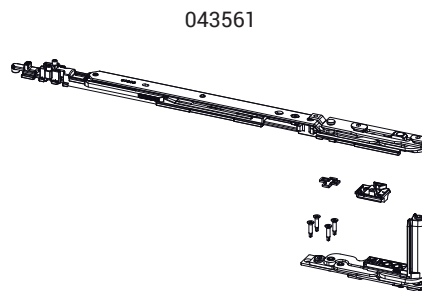
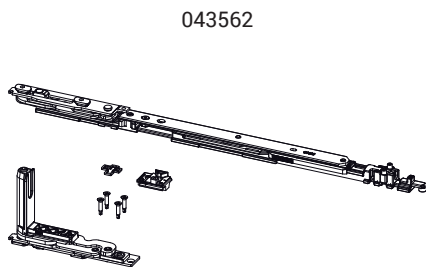
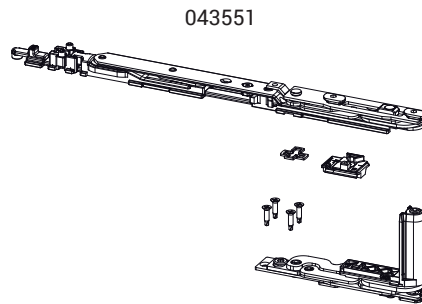
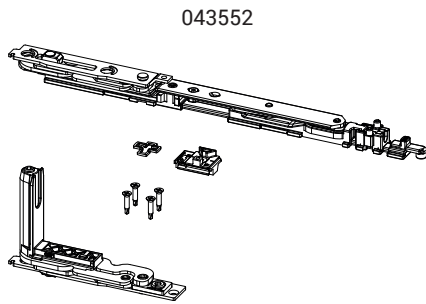
Pins made of 304 grade stainless steel and aluminium bronze

Cams made of zinc plated steel

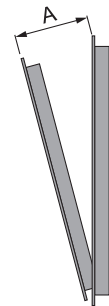
Connecting bracket and arm rod made of 304 grade stainless steel



| | | | | |
|-----|-----|------|------|------|
| T2 | | T2 | | T2+M |
| T1 | T1 | T1 | T1+M | |
| 680 | 805 | 1000 | 1130 | 1600 |
| L | | | | |



Sash opening



| Item code | Description | PROFILE CROSS - SECTION | A (mm) | Hand | Base Raw | Anodised Elox | Painted | Trend/Gold Brass | Pieces per pack |
|-----------|-----------------------|-------------------------------|---------|------|----------|---------------|---------|------------------|-----------------|
| 043551 | CHIC - T1 ARM T&T KIT | C001-C002-C003-C004-C005-C006 | - | RX | X | | | | 10 |
| 043552 | CHIC - T1 ARM T&T KIT | C001-C002-C003-C004-C005-C006 | - | LX | X | | | | 10 |
| 043561 | CHIC - T2 ARM T&T KIT | C001-C002-C003-C004-C005-C006 | 148÷178 | RX | X | | | | 10 |
| 043562 | CHIC - T2 ARM T&T KIT | C001-C002-C003-C004-C005-C006 | 148÷178 | LX | X | | | | 10 |

3-STAR SKG - TILT-AND-TURN SYSTEMS

SKG - CHIC 100 TILT-AND-TURN HINGES AND ARMS

Functions

Hinge kit (upper and lower), completely pre-assembled and ready to be installed on the profile.

Technical Features

They enable tilt-and-turn opening combined with the mechanisms.

Micro-ventilation and logica versions.

The arm is equipped with micro-ventilation as standard (adjustable).

Moving the fastening pawl takes the arm from conventional to logica.

The T2 arm is adjustable: the opening "A" goes from 178 mm (base) to 148 mm.

Materials

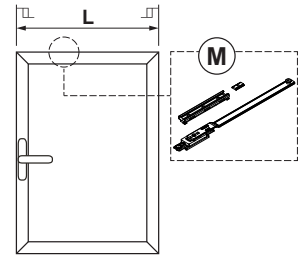
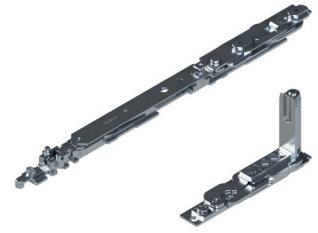
Corner support made of zamak

Connecting brackets and hinge plates made of zinc plated steel

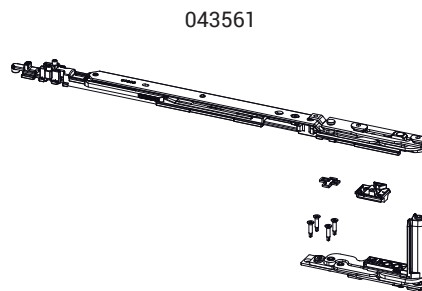
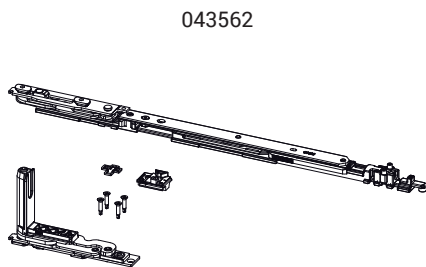
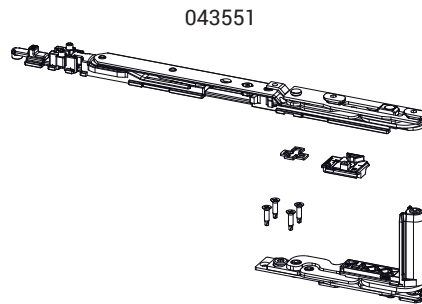
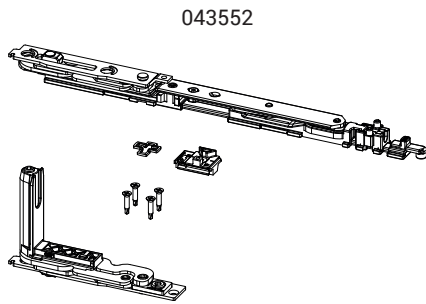
Pins made of 304 grade stainless steel and aluminium bronze

Cams made of zinc plated steel

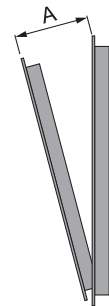
Connecting bracket and arm rod made of 304 grade stainless steel



| | | | | |
|-----|-----|------|------|------|
| T2 | | T2 | | T2+M |
| T1 | T1 | T1 | T1+M | |
| 770 | 890 | 1090 | 1210 | 1600 |
| L | | | | |



Sash opening



| Item code | Description | PROFILE CROSS - SECTION | A (mm) | Hand | Base Raw | Anodised Elox | Painted | Trend/Gold Brass | Pieces per pack |
|-----------|-----------------------|-------------------------------|---------|------|----------|---------------|---------|------------------|-----------------|
| 043551 | CHIC - T1 ARM T&T KIT | C001-C002-C003-C004-C005-C006 | - | RX | X | | | | 10 |
| 043552 | CHIC - T1 ARM T&T KIT | C001-C002-C003-C004-C005-C006 | - | LX | X | | | | 10 |
| 043561 | CHIC - T2 ARM T&T KIT | C001-C002-C003-C004-C005-C006 | 148÷178 | RX | X | | | | 10 |
| 043562 | CHIC - T2 ARM T&T KIT | C001-C002-C003-C004-C005-C006 | 148÷178 | LX | X | | | | 10 |