

PRIMA CREMONE

Functions

Reversible cremone handle for operating the GIESSE Sash, Tilt-and-Turn Window and Tilt-and-Turn Window with Microventilation mechanisms.



Technical Features

The use of high quality die-cast materials, together with the GIESSE painting system, guarantees excellent mechanical performance, as well as colour uniformity and strong resistance to abrasion.

Depending on the version, they are available with snap positioning of the pull handle at 0°, 90°, 135° and 180°.

The PRIMA cremone is supplied pre-assembled right-handed.

Available in both one-way and two-way versions.

Depending on the version, the C/C distances of 84, 98 and 104 mm are possible.

Materials

Handle in die-cast aluminium

Cremone case, gear, racks and sliding parts in die-cast zamak

Internal sheath and Hostaform plate

Spring, screws and fixing plate in stainless steel

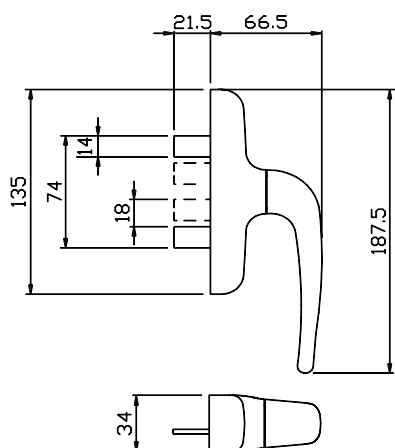
On the Brass version, the case and handle are made of brass

Parts

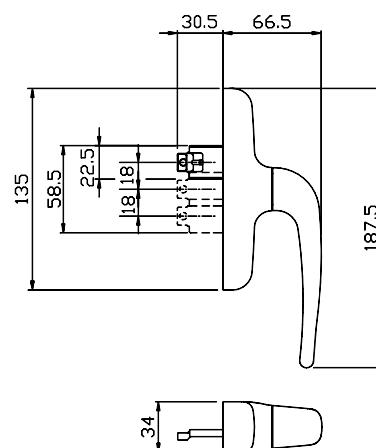
1 fixing plate

2 HSHC screws M5x14

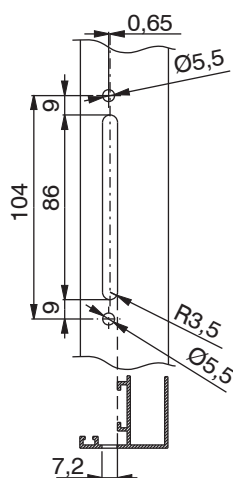
Version for sash



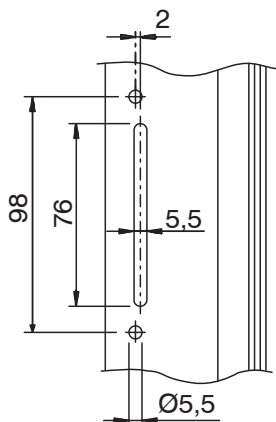
Version for tilt-and-turn window



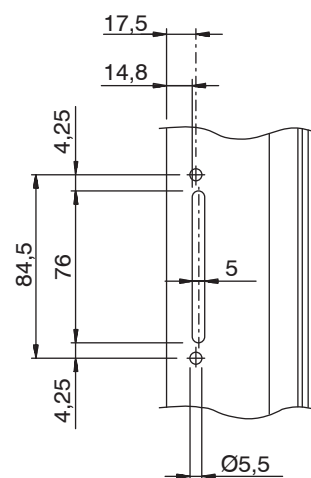
C/C distance machining 104 mm



C/C distance machining 98 mm



C/C distance machining 84.5 mm



CREMONES

Item code	Description	PROFILE CROSS - SECTION	Material	Type	C/C distances	Operation	Pull handle 0°	Pull handle 90°	Pull handle 135°	Pull handle 180°	Base Raw	Anodised Elox	Painted	Trend/Gold Brass	Pieces per pack
01024U	PRIMA CREMONE	C001-C002-C003-C004-C005-C006-C007-C008-C009-C010-C012-C013-C014-C015-C016-C017-P001-P002-P004-P005-P006-P007-P008-P009-P010		Sash	104 - 98 - 84	two-way	closed	open			X		X	X	10
01033K	PRIMA CREMONE	C001-C002-C003-C004-C005-C006-C007-C008-C009-C010-C012-C013-C014-C015-C016-C017		Tilt-and-turn window	104 - 98 - 84	one-way	closed	open		bot-tom-hung windows	X		X	X	10
01039	PRIMA CREMONE	C001-C002-C003-C004-C005-C006-C012-C013-C014-C015-C016-C017		Tilt-and-turn window (microventilation)	104 - 98 - 84	one-way	closed	open	micro	bot-tom-hung windows	X		X	X	10
01120	PRIMA CREMONE	C001-C002-C003-C004-C005-C006-C012-C013-C014-C015-C016-C017	Brass	Tilt-and-turn window (microventilation)	104 - 98 - 84	one-way	closed	open	micro	bot-tom-hung windows				X	2
01121	PRIMA CREMONE	C001-C002-C003-C004-C005-C006-C007-C008-C009-C010-C012-C013-C014-C015-C016-C017-P001-P002-P004-P005-P006-P007-P008-P009-P010	Brass	Sash	104 - 98 - 84	two-way	closed	open						X	2