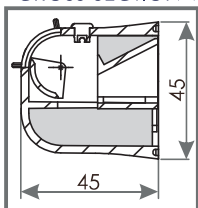
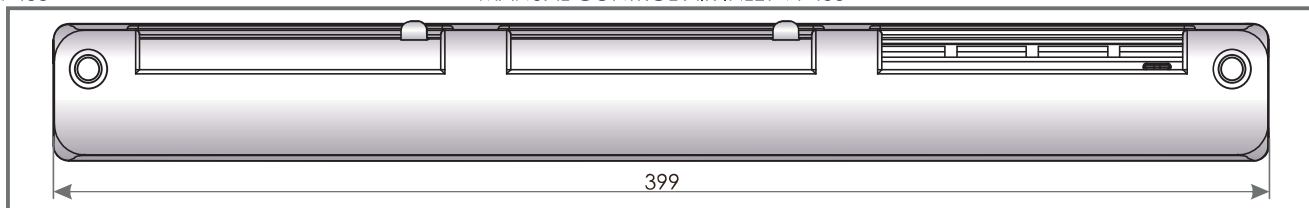


ACOUSTIC AIR INLET VENTEC VT 401

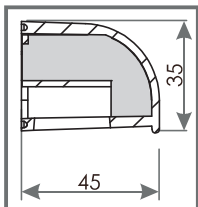
CROSS-SECTION VT 400



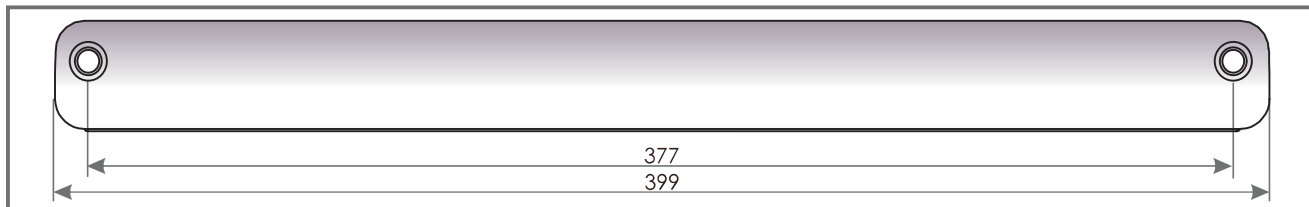
MANUAL CONTROL AIR INLET VT 400



CROSS-SECTION OZ 400



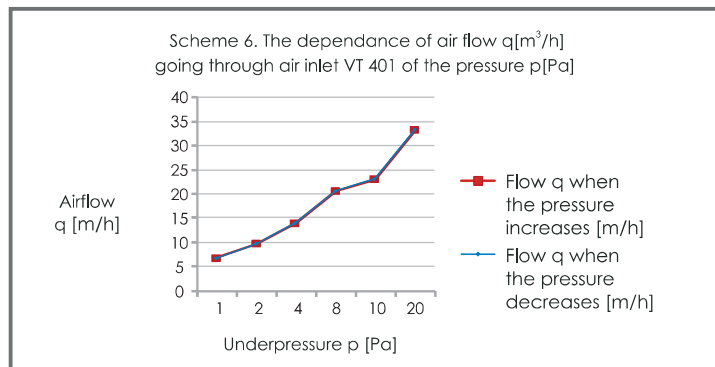
ACOUSTIC CANOPY OZ 400



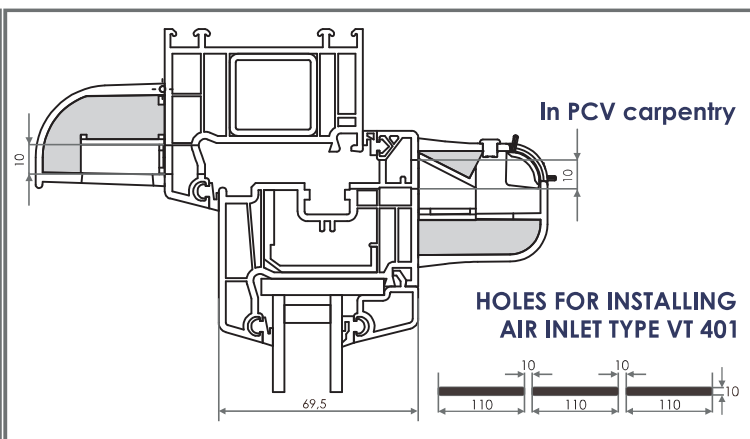
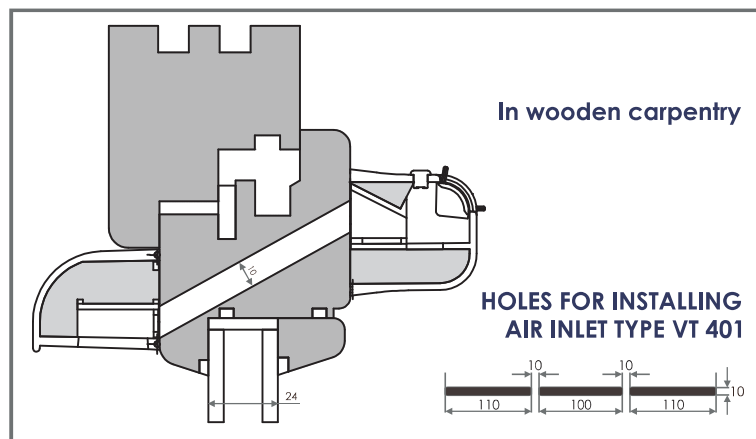
TECHNICAL CHARACTERISTICS

Airflow	23 m ³ /h ($\Delta p = 10$ Pa)
Airflow**	33 m ³ /h ($\Delta p = 20$ Pa)
Acoustic open air inlet	$D_{n,e,w}$ ($C:C_{tr}$) = 40 (0;-1) dB
Acoustic closed air inlet	$D_{n,e,w}$ ($C:C_{tr}$) = 44 (-1;-2) dB

* For calculations of fresh air supply requirement for mechanical exhaust ventilation system, negative pressure of 20 Pa should be assumed.



THE WAY OF INSTALLATION



VENTEC VT 401 - shades variety

Symbol	VT401	VT412	VT413	VT414	VT415	VT422	VT423	VT424	VT425
Inner colour	RAL 9003	RAL 9003	RAL 9003	RAL 9003	RAL 9003	RAL 8001	RAL 8017	RAL 7012	RAL 7016
Outer colour	RAL 9003	RAL 8001	RAL 8017	RAL 7012	RAL 7016	RAL 8001	RAL 8017	RAL 7012	RAL 7016